

Key Features

- Round-cornered square-design housing provides large capacity; maximum work area to install and maintain CATV distribution equipment
- Padlock hasp and factory provided knockouts provide maximum security and flexibility (knockouts permit installation of K-Lock, Inner-Tite or locks)
- Removable upper cover for efficient equipment installation
- Units may be self-supporting or stake mounted for installation versatility
- Provisions in backplate for accessory mounting brackets for easy internal mounting of distribution equipment
- Our unique multistage gray-green finishing process meets or exceeds EPA standards, and provides a tough corrosion-resistant finish for longer life

Description

The TV80, TV80SB, and TV80WM Classic CATV pedestals are round-cornered square-design above-ground housings that provide maximum capacity and work area to install and maintain CATV distribution equipment. Pedestals are manufactured of heavy gauge mill-galvanized steel, treated with a unique finishing process for longer life. The housing components are: backplate/lower front cover assembly, upper front cover/cap assembly with hand pocket, and internal mounting hardware and brackets. When equipped with an SA80 BRACKET, the TV80 pedestal will house an SA 4-port interdiction unit. The TV80SB version has a tap mounting bracket and 19-in. mounting stake. The TV80WM version has a backplate with cap attached. Ridges in the pedestal ensure pedestal strength and stability.

The TV80 and TV80SB are self-supporting or may be stake mounted for additional stability. The TV80WM is recommended for wall-mounted applications. Factory provided knockouts and padlock hasp offer several security options.

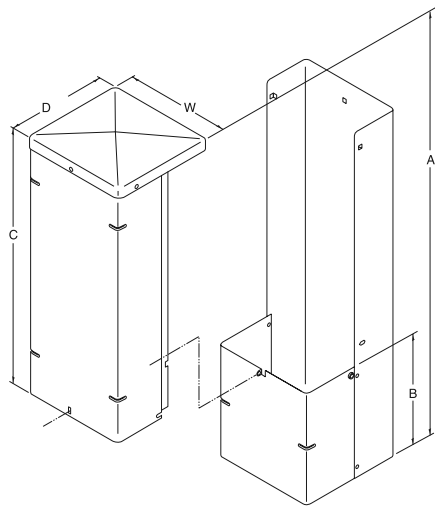
Application

The TV80 series closures serve as above-ground pedestal housings for taps, couplers, and/or splitters.



TV80SB

TV80 Series Pedestals



Specifications

Catalog Number	Part Number	A	B	C	D	W
TV80	F605830	25-in.	8-in.	16-1/2-in.	8-1/8-in.	8-1/8-in.
TV80SB*	F605828	25-in.	8-in.	16-1/2-in.	8-1/8-in.	8-1/8-in.
TV80WM**	F605836	25-in.	8-in.	16-1/2-in.	8-1/8-in.	8-1/8-in.
TV80EXT	F605835	31-in.	14-in.	16-1/2-in.	8-1/8-in.	8-1/8-in.
TV80EXTSB*	F605779	31-in.	14-in.	16-1/2-in.	8-1/8-in.	8-1/8-in.

* TV80SB and TV80EXTSB are equipped with an offset bracket and 19-in. stake for mounting distribution taps.

** TV80WM may be wall mounted by securing the backplate to a wall surface.

NOTE: All locks, optional mounting stakes, and brackets must be ordered separately and will be shipped separately. For factory assembled stake, bracket, and lock option, call customer service at 800-800-1280.

Accessories

Catalog Number	Part Number	Description
Stakes:		
MS1324TV	F603270	24-in. mounting stake with 3/8-in. mounting hardware
MS1332TV	F602130	32-in. mounting stake with 3/8-in. mounting hardware
MS1342TV	F604085	42-in. mounting stake with 3/8-in. mounting hardware
Mounting Brackets:		
L	F601980	3-in. L bracket with 1/4-in. mounting hardware
OS	F606793	Offset bracket with 1/4-in. mounting hardware
Locks:		
ITLPEDS	F539590	Inner-Tite lock with mounting bracket and hardware
DCBLCN	F600055	Star Lock bolt with 801 pattern, push nut & mounting clip

Emerson Network Power.

The global leader in enabling business-critical continuity.

- AC Power Systems
- Embedded Power
- Precision Cooling
- Connectivity
- Integrated Cabinet Solutions
- Services
- DC Power Systems
- Outside Plant
- Site Monitoring
- Embedded Computing
- Power Switching & Control
- Surge Protection

Emerson Network Power Energy Systems

4350 Weaver Parkway, Warrenville, IL 60555
 Toll Free: 800-800-1280 (USA and Canada)
 Telephone: 440-246-6999 Fax: 440-246-4876
www.EmersonNetworkPower.com/EnergySystems

© 2006 Emerson Network Power Energy Systems, North America, Inc. All rights reserved.

The Emerson logo is a trademark and a service mark of Emerson Electric Co. Emerson Network Power is a division of Emerson Electric Co.

Printed in USA

